



Deals in Lifts Supply, Testing,
Commissioning, Installation, Repair,
Service and Maintenance.

Also Provides Lifts Accessories, Parts,
Control Panels and Inverters.



0321-4521189



carelevator89@gmail.com



www.carelevator.com.pk



Brief Company Introduction

We “Care Elevator” are established in the year 2011 actively engaged in supply and Installation of an extensive range of Lifts/Elevators. We offered product range Passenger Lift, Cargo Lifts, Vench Lifts, Panoramic Lifts, MRL Lifts, Stretcher/Hospital Lifts and Escalators. Under the supervision of our experts, these products are manufactured using high quality components and advanced technology.

As a quality-oriented firm, we are focused to provide our clients excellent quality products. These products are known for their features like hassle-free functionality, robust construction, optimum efficiency, less maintenance, high performance, reliability and easy to operate. Our quality experts thoroughly test the offered range on several quality parameters by utilizing latest testing tools and devices. Our clients can avail the offered range in several specifications as per their demands. In order to ensure their secure delivery, the offered range is provided in a premium quality packaging material.

Why Us?

We are pleased to take this opportunity to introduce ourselves as an engineering concern, engaged in the field of elevator technology for the past few decades. We have so far supplied and installed more than 500 elevators throughout the country. We are pre-qualified with almost all major govt., semi govt. and private procurement organizations of the country.

Features:

- Experienced team of professionals
- Timely delivery
- Safety Measures
- Well-established infrastructural set up

Some Prominent Projects Complete Recently

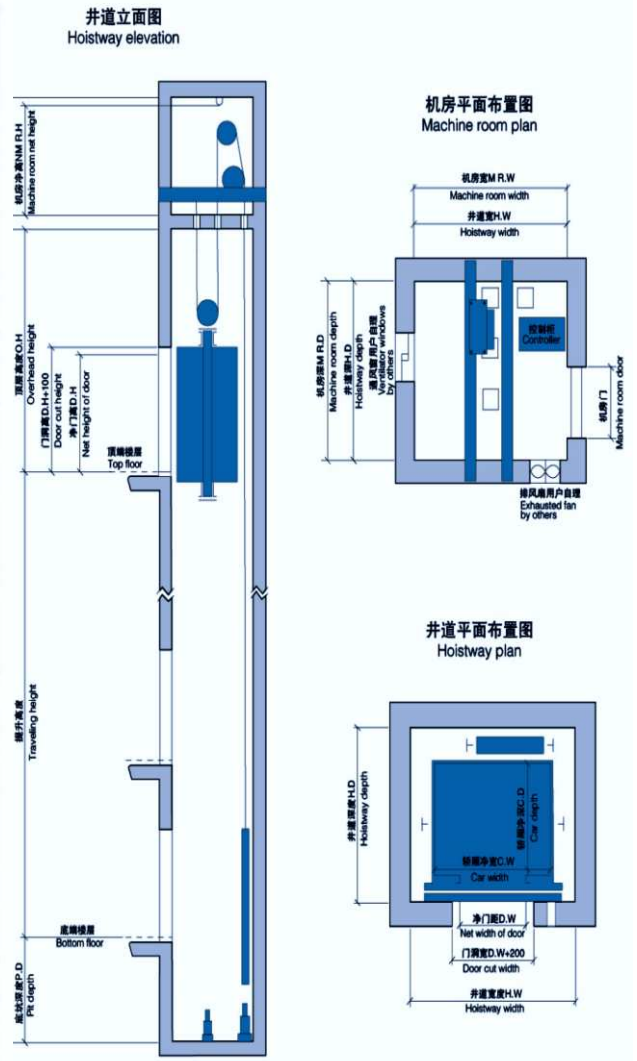
Sr. No.	Project Name/Address	Sr. No.	Project Name/Address
1	55-P Samira Fabrics, Gulberg, Lahore	11	Uptown LA, DHA , Lahore
2	95-M, DHA Phase 5, Lahore	12	Sufi Fabrics, Bund Road, Lahore
3	Faclon Complex, Kalma Chowk, Lahore	13	12 CCA, DHA, Phase 5, Lahore
4	Askari Bank, Pvt. Ltd. Lahore.	14	36 CCA, Phase 5 DHA, Lahore
5	Nensor House, Barkat Market, Lahore	15	Shafi Pvt. Ltd. Sheikhpura
6	Beacon House DHA, Lahore	16	Ginsoye Chinese Resturant, Lahore
7	Punjab Society, Lahore	17	Farooq Garments, Manawan
8	Riaz Mansoor Trust Hospital, Lahore	18	Refuel Fitness, Bahria Town, Lahore
9	Panorama Parking Plaza, Lahore	19	33 FCC, Gulberg, Lahore
10	6-N, Johar Town, Lahore	20	Urdu Bazar Mall, Lahore

Brands Dealing In

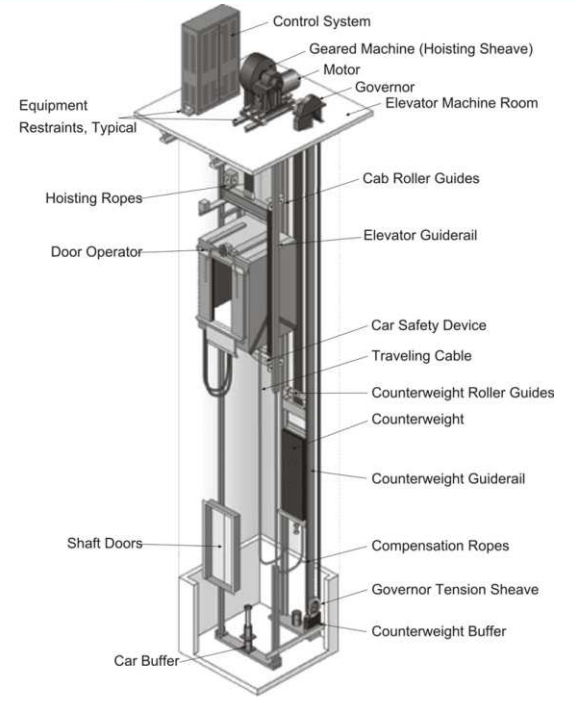


Lifts Specifications and Machine Room Plan

载乘人数 (人) Persons	额定载重 (kg) Rated capacity	额定速度 (m/s) Rated speed	轿厢净尺寸(mm) Net size of car		净门距(mm) Net size of door D.WxH		井道尺寸(mm) Hoistway size			机房尺寸(mm) Machine room size		最大提升 高度(m) Max traveling height
			宽 x 深 C.W x C.D	中分两扇门 2P Central opening	宽x深 H.W x H.D	顶层高 HR.H	底坑深 P.H	宽x深 MR.W x MR.D	机房高 MR.H			
6	400	1.0	1100x1000	700x2100	1700x1620	4500	1500	1700x1620	2900	45		
8	630	1.0	1400x1100	800x2100	2000x1720	4500	1500	2000x1720	2900	45		
		1.6/1.75				4600	1700			96		
10	800	1.0	1400x1350	800x2100	2000x1970	4500	1500	2000x1970	2900	45		
		1.6/1.75				4600	1700			96		
		2.0				4900	1800			120		
		2.5				5100	2000			150		
		4.0				6350	3850			180		
13	1000	1.0	1600x1500	900x2100	2200x2120	4500	1500	2200x2120	2900	45		
		1.6/1.75				4600	1700			96		
		2.0				4900	1800			120		
		2.5				5100	2000			150		
		3.0				5600	2600			150		
		3.5				5950	3100			180		
		4.0				6350	3850			180		
		1.0				4500	1500			45		
		1.6/1.75				4600	1700			96		
		2.0				4900	1800			120		
2.5	5100	2000	150									
15	1150	1.0	1700x1500	1000x2100	2300x2120	4500	1500	2300x2120	2900	45		
		1.6/1.75				4600	1700			96		
		2.0				4900	1800			120		
		2.5				5100	2000			150		
		3.0				5600	2600			150		
		3.5				5950	3100			180		
4.0	6350	3850	180									
16	1250	1.0	1950x1400	1100x2100	2600x2020	4500	1500	2600x2020	2900	45		
		1.6/1.75				4600	1700			96		
		2.0				4900	1800			120		
		2.5				5100	2000			150		
		3.0				5600	2600			150		
		3.5				5950	3100			180		
4.0	6350	3850	180									
18	1350	1.0	1950x1550	1100x2100	2600x2170	4500	1500	2600x2170	2900	45		
		1.6/1.75				4600	1700			96		
		2.0				4900	1800			120		
		2.5				5100	2000			150		
		3.0				5600	2600			150		
		3.5				5950	3100			180		
4.0	6350	3850	180									
21	1600	1.0	1950x1750	1100x2100	2600x2370	4500	1500	2600x2370	2900	45		
		1.6/1.75				4600	1700			96		
		2.0				4900	1800			120		
		2.5				5100	2000			150		
		3.0				5600	2600			150		
3.5	5950	3100	180									
4.0	6350	3850	180									



Standard Functions of Lifts	
Safety gear	Over travel Safety
Buffer	Door Lock Safety
Speed governor	Manually Operation
Inspection operation	Voltage Protection
Automatic operation (Without Operator)	Operation by operator
Call for opening of this floor	Brake checking protection
Display of running state	Phase Failure and Reversal Protection
Emergency Call Bell	Floor Display
Motor Overheat Protection	Door interlock protection
Limit Protection	Automatic Rescue



Cabin/Car Designs



Center Opening Stainless Steel Cabin

Etched Design Stainless Steel Cabin

Glass/Sight Seeing Cabin

Casule Cabin

Elevator Types



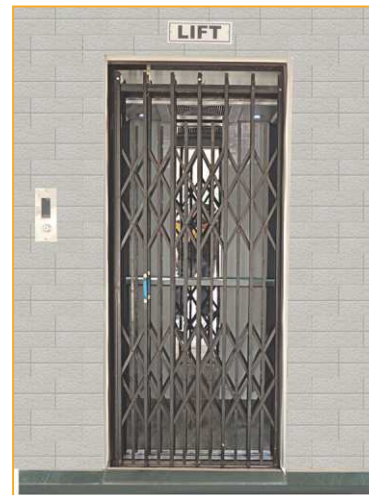
Hospital/Strecher Lift

Cargo/Goods Lift

Passenger Lift

Kitchen/Dumbwaiter Lift

Doors Types



Glass Door Center Opening

Manual Collapsible Door

Manual Swing Door

Side Sliding Door

Main Traction Machine and Components



Geared VVVF Traction Machine



Etched Design Cabin S.S



Speed Governor



VVVF Encoder

Panels and Components



Monarch Nice 3000 Control Panel



Aybey Elektronik Control Panel

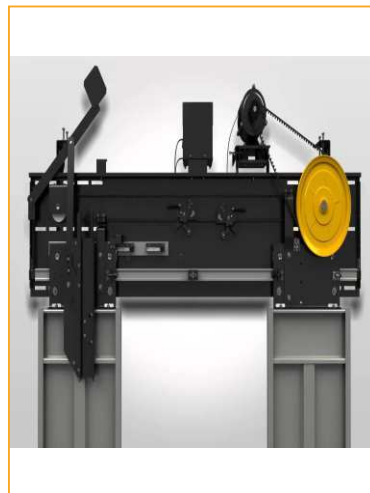


Auto Rescue Device (ARD)



VVVF Inverters

Doors Components



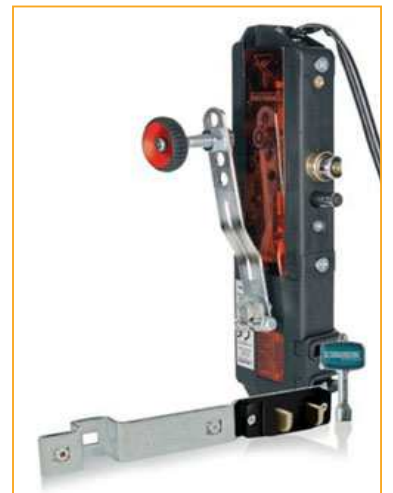
Door Drive



Door Drive inverter



Doors Safety Sensors



Door Lock System



Care Elevator Company is one of the Pakistan's leading elevator companies. It provides its customers with industry-leading elevators and with innovative solutions for their maintenance and modernization.

We are pleased to introduce ourselves as specialist in Lift ENGINEERING SCIENCE since the last 10 years and can offer you service such as erection, maintenance, inspection, repairs and modernization of your lift can be effectively looked by our team of qualified and experienced Engineers and trained technicians. We provide timely preventive maintenance effective repairs personalized service and renewal at economic rates as against exorbitant rates charged by main manufacturers. Our staffs have wide experience in Lift Technology.

Everyday, millions of people ride on our elevators and escalators, and we strictly take our responsibility to ensure absolute safety for our passengers. We are constantly investing to improve our technology and developing new and innovative products to ensure that we uphold our company's values.

We promise that we will give our best efforts to satisfy your needs with our products and services.

Care Elevator Provides supply and installation of elevators/lifts.

Care Elevator provides monthly service and maintenance on reasonable price. We also attend complaints regarding lifts and provide best suitable solutions.



0321-4521189



careelevator89@gmail.com



www.careelevator.com.pk